

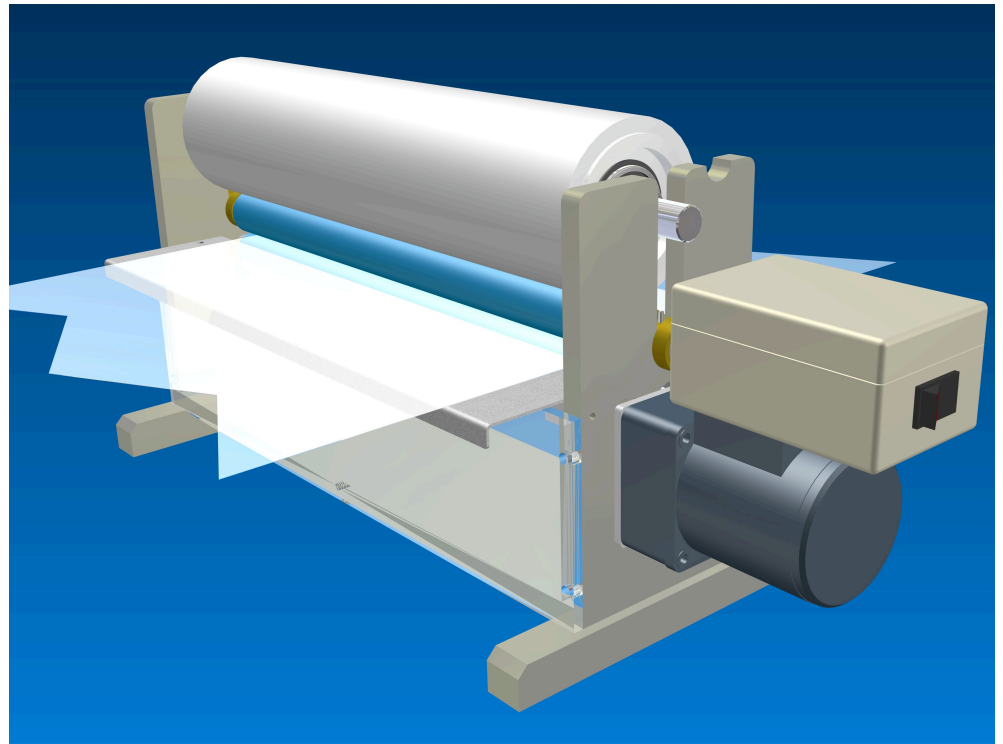


3RSC

APPLICATIONS:

2 SIDED

CONTAMINATION ELIMINATION SOLUTION

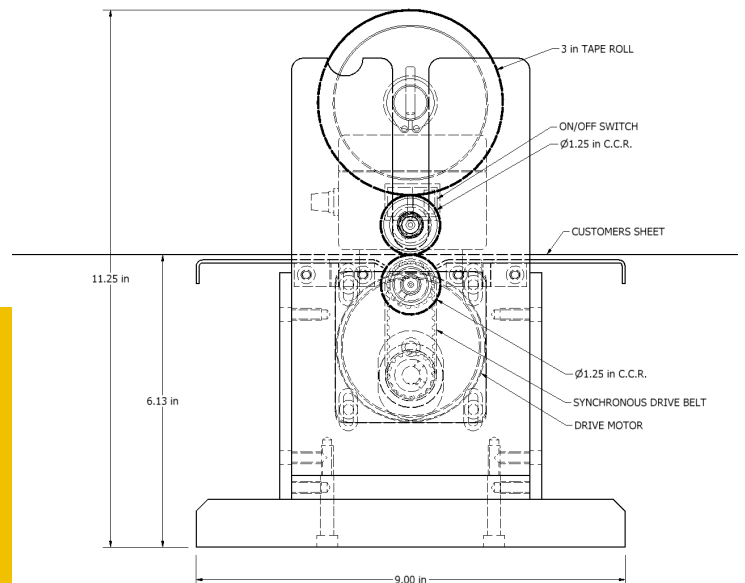


FEATURES:

- 2 SIDED GRAVITY NIP- SIMPLE RUGGED DESIGN
- 1.25" O.D. CONTACT CLEANING ROLL
- SHAFTED TAPE MOUNTING STYLE
- TOP TAPE CHANGE ACCESS
- PLATED STEEL CONSTRUCTION
- ALTERED DESIGNS AVAILABLE
- SLIDE RETURN OPTION

PROCESS PARAMETERS:

- MAXIMUM SPEED 50 FPM
- MINIMUM WIDTH 6" MAXIMUM 30"
- NO TAPE CHANGE ON THE FLY



POLYMAG TEK INC.
WWW.POLYMAGTEK.COM
 1/800-787-0830
 FAX: 585-235-8395
 215 TREMONT STREET,
 ROCHESTER, NY 14608