

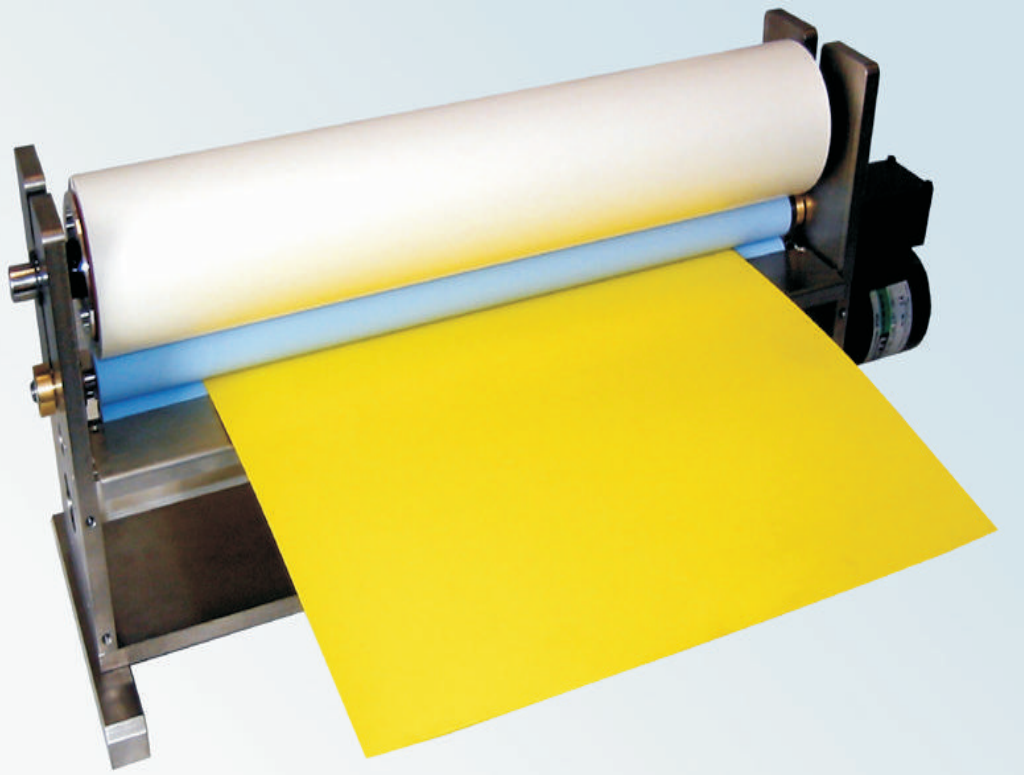
POLYMAG®

3 Roll Sheet Cleaning System

Designed and manufactured in the U.S.A.

3RSC

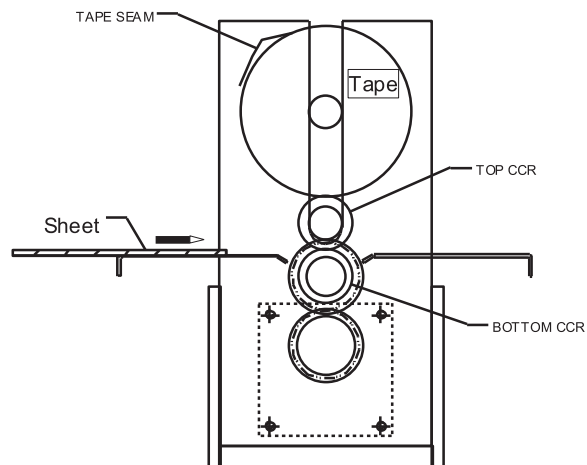
3 ROLL SHEET
CLEANER SYSTEM



3 Roll Sheet Cleaner System Our Most Economical Solution For Cleaning Sheeted Product

Polymag Tek's 3 Roll Sheet Cleaning System (3RSC) is designed to remove loose particulate contamination from both sides of a sheeted substrate. The Polymag® Blue Contact Cleaning Rolls (CCR) contacts both sides of the sheet as it transports through the cleaner. Surface contamination is transferred from the sheet to the polymeric covered CCRs. The CCR's are then continuously cleaned with one top mounted Tape Roll. When the adhesive tape tacky roll surface becomes saturated it is removed to expose the next fresh adhesive tape layer.

A single speed motor drives the nip CCR's at 40FPM. The contamination from the sheets collects on the surface of the Tape Roll. When the Tape roll becomes saturated, a layer of tape can be removed. Each tape roll contains 66 feet of adhesive tape. Approximately one foot of tape is used per tape change.



***All Our Web & Sheet Cleaner Systems can be custom designed to fit any application.**

WORLD LEADERS
Web & Sheet Cleaners

POLYMAG TEK INC.
Manufacturing & Technology

215 Tremont Street, Rochester, New York 14608
Tel. 800/787-0830 • www.polymagtek.com