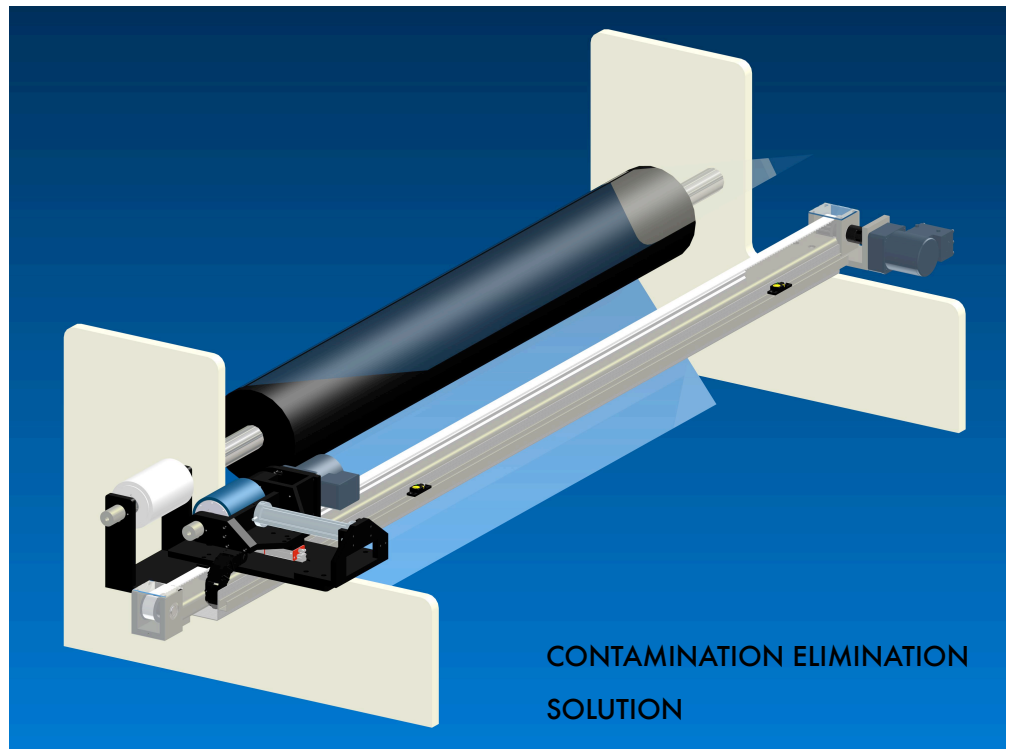


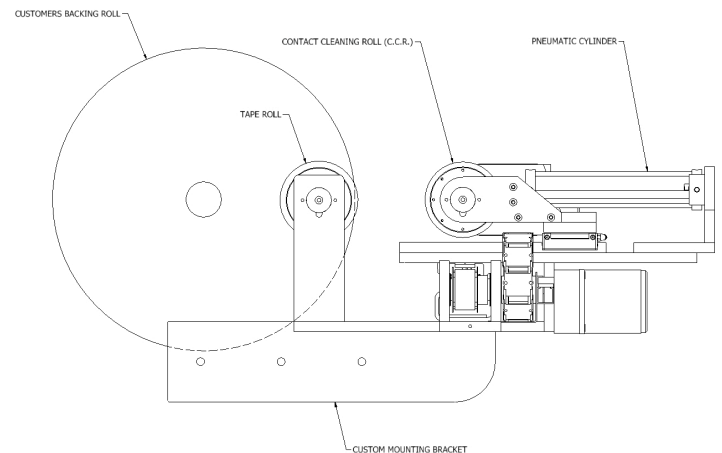
PRC-Backing Roll Cleaner

POLYMAG[®]



FEATURES:

- ON-LINE DRY CLEANING PROCESS
- PROGRAMMABLE CLEANING SEQUENCE
- STEPPED CLEANING FOR FAST AND/OR CONTINUOUS ROLL CLEANING APPLICATIONS
- ADJUSTABLE PNEUMATIC TOUCH CLEANING FORCE
- EASY TAPE ROLL CHANGE OUT
- EASY CONTACT CLEANING ROLL (CCR) CHANGE OUT
- CCR SPEED MATCH



OPTIONS:

- CUSTOM MOUNTING DESIGNS
- STATIC ELIMINATION

POLYMAG TEK
WWW.POLYMAGTEK.COM
1/800-787-0830
FAX: 585/235-8395
215 TREMONT ST
ROCHESTER, NY 14608

Patents: 5,275,104 & 6,142,076 and other patents pending