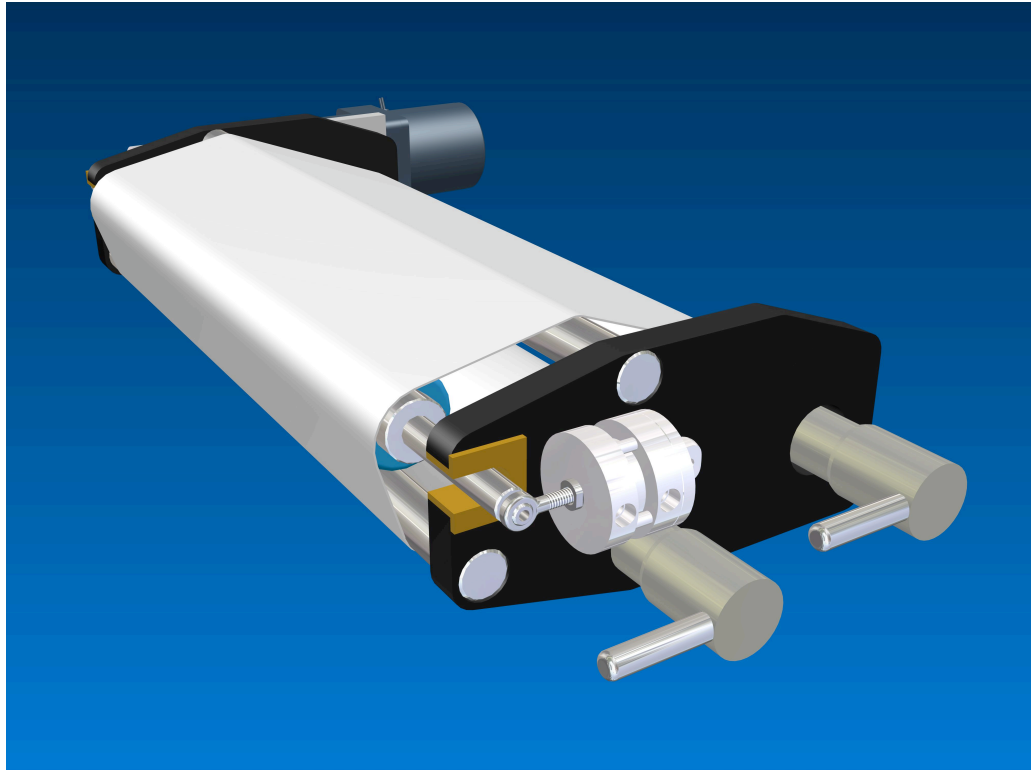


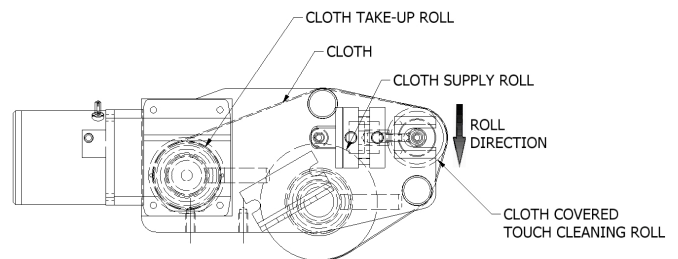
PRC-Process Roll Cleaner

POLYMAG[®]



FEATURES:

- PROGRAMMABLE CLEANING SEQUENCE
- ADJUSTABLE PNEUMATIC TOUCH CLEANING FORCE
- EFFICIENT UTILIZATION OF CLOTH WITH ADJUSTABLE CLOTH ADVANCE
- EASY CLOTH CHANGE OUT
- CLOTH OUT DETECTION



OPTIONS:

- CUSTOM MOUNTING DESIGNS
- STEPPED CLEANING FOR WIDE ROLL APPLICATIONS
- MULTIPLE CLEANING CLOTH FABRICS AVAILABLE

POLYMAG TEK
WWW.POLYMAGTEK.COM
1/800-787-0830
FAX: 585/235-8395
215 TREMONT ST
ROCHESTER, NY 14608

Patents: 5,275,104 & 6,142,076 and other patents pending