

Two-Sided, 3 Roll Sheet Cleaner

ContactClean™ Sheet by Polymag Tek, Inc.

3RSC

The Polymag® Tek Two-Sided, 3 Roll Sheet Cleaner (3RSC) offers customized sheet cleaning to meet your most unique needs. Driven Contact Cleaning Rolls (CCRS) remove contamination from the sheet and then transfer contamination to an adhesive tape roll. The CCRS continue to rotate in between sheet feeding, cleaning each other and transferring contaminants to the adhesive tape roll for permanent removal.

Applications

- 2 Sided Sheet Cleaning
- "Single Nip" - up to 96.9% efficiency*

Features

- 2-sided, gravity, single-nip, simple rugged design
- 1.25" O.D. Contact Cleaning Rolls (CCRS)
- Shafted tape mounting style
- Top tape change access
- 3.0" I.D. Core, Pre-Cut, Sheeted Adhesive Tape Rolls
- Plated steel construction
- Alternate designs available

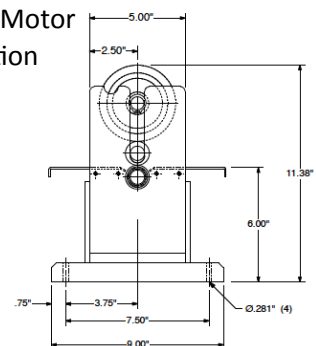
*Based upon results found in the Polymag® Tek "Dirt Report"

Process Parameters

- Sheet widths up to a maximum 30"
- Standard speed up to 50 fpm

Options

- In-feed active static elimination
- Various conveyor configurations
- Variable Speed Motor
- Slide return option



 **PolymagTek**
INCORPORATED

www.polymagtek.com

Phone: 1.800.787.0830 • Fax: 585.235.8395
215 Tremont Street, Rochester, NY 14608