

STATIC BARS



BR1200

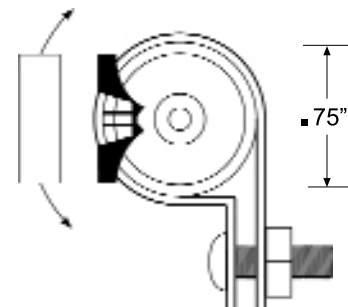
BR1200 Round Static Bar

Contact and separation between two surfaces creates static electricity, which can often cause materials like paper, plastic, textiles and other non-conductive materials to randomly attract to or repel from themselves or their surroundings. In a manufacturing environment this causes process problems which include jams, clogs, mis-feeds, poor stacking, reduced transport speeds, shocks to operators, fires, explosions, and a variety of contamination related problems.

The BR1200 is a "shockless" static neutralizing bar designed to help you control these troublesome and costly problems by neutralizing the static electricity that causes them.

END VIEW (Below)

Round body design enables user to "aim" the emitter points as needed. Improves mounting flexibility, too.



TECHNICAL DATA

Round:	.75" diameter
Overall length:	6" to 144"
Effective length:	3" to 141"
Ionizing point spacing:	.75" on center
Optimum Range:	.75" to 3" or more
Mounting:	Loop Clamps
Certification:	25KVDC, 105 C, UL VW1 UL; CE
High Voltage Cable:	25KVDC, 105C, UL VW-1. Standard length 72" alpha shielded cable. Terminated in a user installed spring-loaded connector to mate with TSN 70 or 75 or comparable power supply.



15 Adams Street Burlington, MA 01803 Tel: 781.229.7799 Fax: 781.229.4555