

ATEX



EX1250 STATIC ELIMINATOR BAR

The EX1250 Bar is a high performance static eliminator with ATEX certification for use in hazardous areas.

Maximum ionisation performance in a hazardous area.

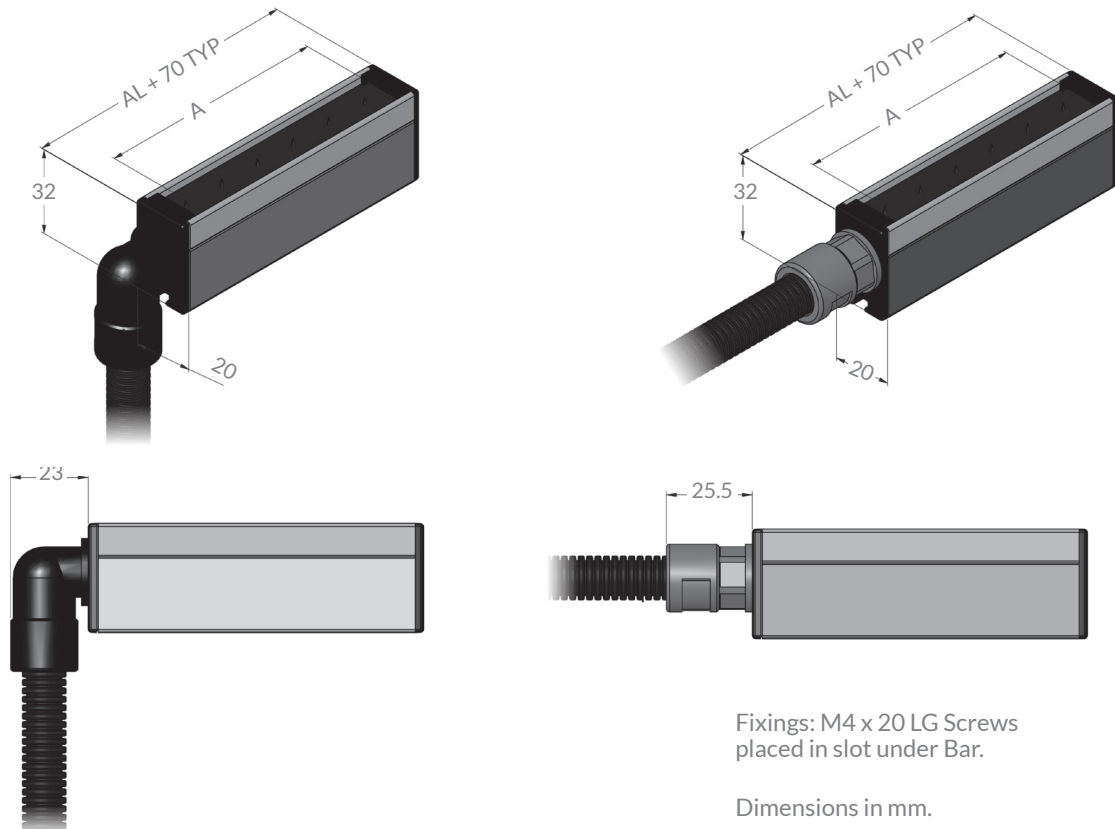
- > The EX1250 is part the Fraser 1250 family of static eliminators, which offer market-leading reliability and performance.
- > Stay-sharp etched emitters for better long term performance. Life 5 years +. Non-infectious.
- > Emitters at 15 mm pitch provide more ionisation and so better neutralisation.
- > Robust construction, but compact and easy to install.
- > Operating distance up to 150 mm. Best distance for high speeds and high charges 25 - 50 mm.
- > Washable and suitable for food, medical and pharmaceutical applications.
- > All electronic components are fully encapsulated for maximum reliability.
- > Certified for Zones 1 & 2. Gas group IIB (ethylene).
- > Certified for flammable dust IIC Zones 21 & 22



Specification





Length:	Any size from 120 mm to 6000 mm. Active length is 70 mm less than overall length.
Mounting:	M4 x 20 mm hexagon studs slide in slot for mounting.
Cable:	3 m of cable in protective nylon conduit is standard, longer lengths can be specified at time of order. Please check that 3 m is sufficient - the Power Unit must be positioned outside the hazardous area.
Safety:	High resistance in emitters for shockless operation.
Environment:	Location should be dry and oil free. 40° maximum temperature. 70% rH non-condensing max.
Power Unit:	HP EX Power Unit, must be positioned outside of the hazardous area.
Options:	Airboost for extending the range up to 500 mm.- see 1250 AB. 90° cable exit. HP-ION Power Unit with remote function monitoring showing status of high voltage and whether Bars require cleaning EXHP-RM Power Unit with Monitoring and alarm function on Power Unit to show that Bars are operating correctly.

Dimensions (mm)



ATEX Certification

The details of the ATEX certification for the EX1250 Bar are:

EX-1250 Static Eliminator Bar YYYY/NNNN		
 I 2G IIB T6	 I 2 D IIC T85° (-20° ≤ Ta ≤ +40°C)	
Baseefa 07ATEX0157X		 1180
Fraser Anti-Static Techniques Ltd, Scotts Business Park, Bampton EX16 9DN UK		
www.fraser-antistatic.co.uk		sales@fraser-antistatic.co.uk

Explanation

- | | |
|--|--|
| <p>I Industrial equipments.</p> <p>2 Equipment category: high protection. Suitable for zones 1 and 2.</p> <p>G Equipment used in potentially explosive atmospheres caused by presence of explosive gas, vapour and mist.</p> <p>IIB Gas Group. Group IIB covers Ethylene, in addition to the IIA Gases including Acetone, Benzene, Butane, Ethanol, Methane, Propane, Toluene and Xylene.</p> <p>T6 (-20 °C ≤ Ta ≤ +40 °C) Temperature class. Maximum Surface Temperature T6 = 85 °C.</p> | <p>II Surface equipments.</p> <p>2 Equipment category: high protection. Suitable for zones 21 and 22.</p> <p>D Equipment used in potentially explosive atmospheres caused by presence of airborne particles (dust).</p> <p>IIC Dust Group. This includes</p> <p style="margin-left: 20px;">IIIA: Combustible flyings</p> <p style="margin-left: 20px;">IIIB: Non-conductive dust</p> <p style="margin-left: 20px;">IIIC: Conductive dust</p> <p>T85 Temperature class. Maximum Surface Temperature 85 °C.</p> |
|--|--|

How does it work?

The EX1250 is powered by the EXHP Power Unit, a high load 6 kV Power Unit, with remote monitoring options. Up to four Bars may be powered from each Power Unit. Please see separate Datasheet for more details.